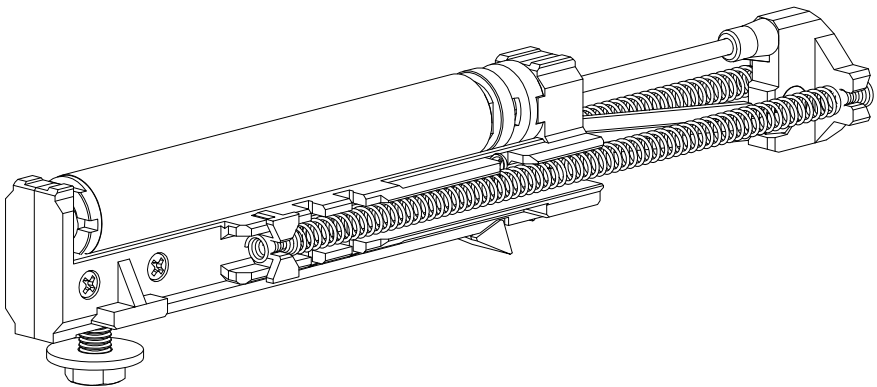
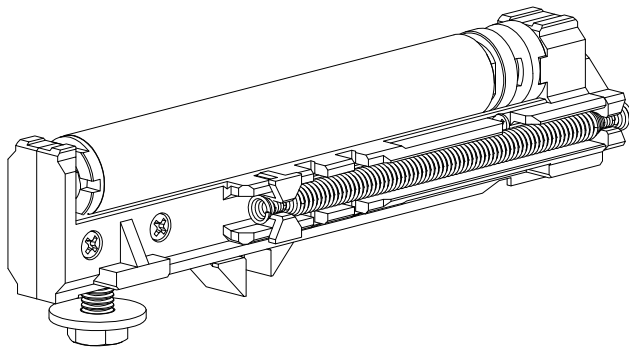
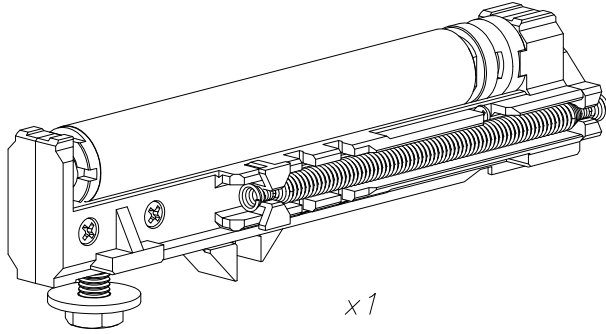




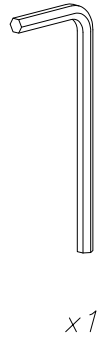
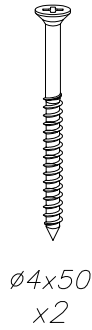
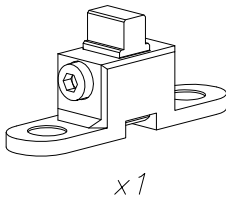
*SILENT-STOP*  
*WS 60 | WS 120*

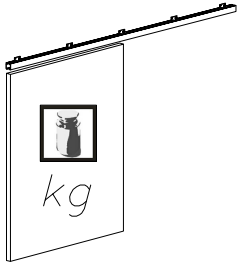




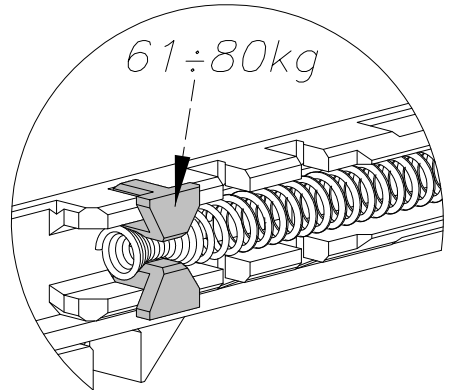
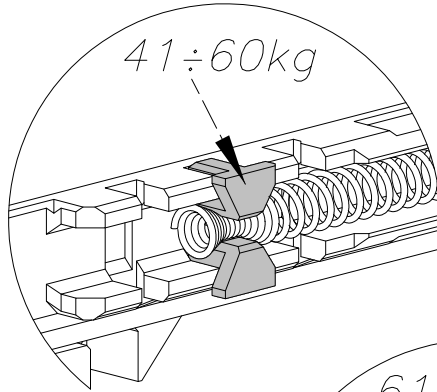
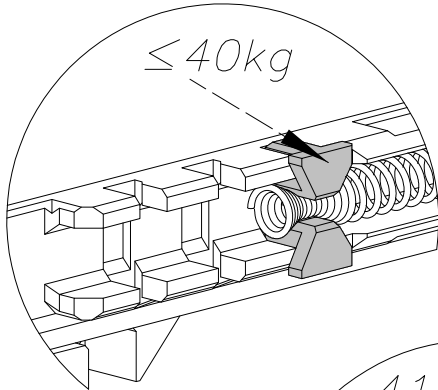
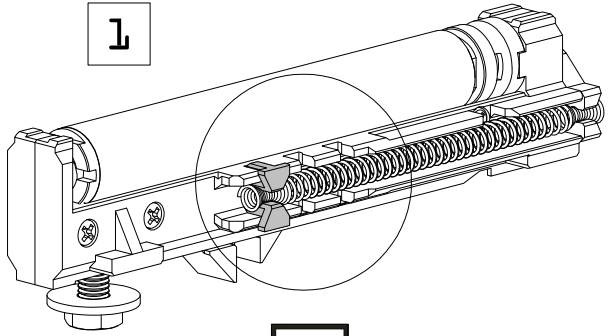
---

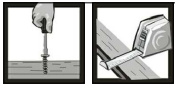
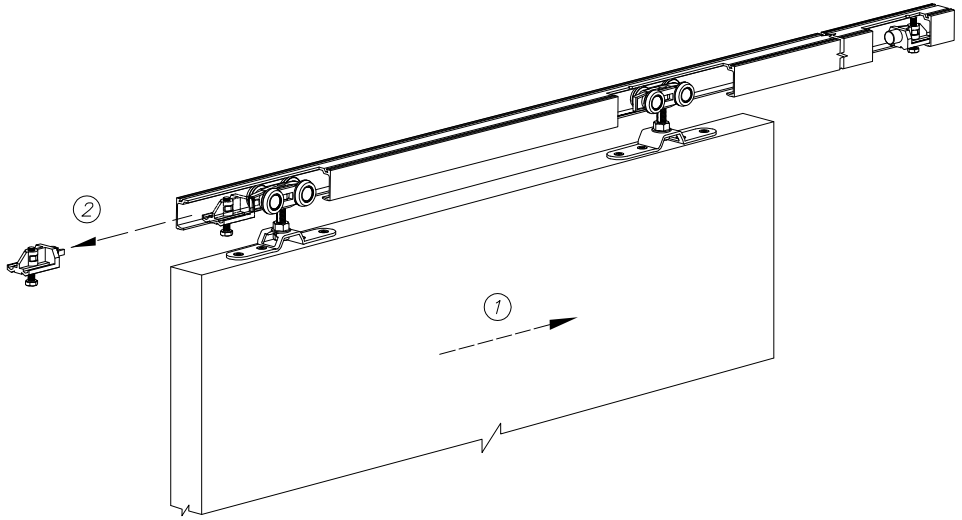
WS 60 | WS120



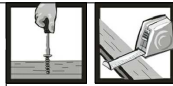


1

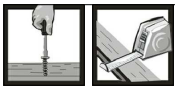
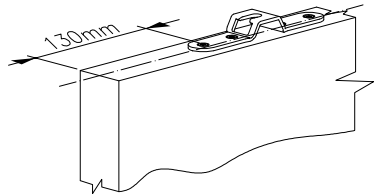
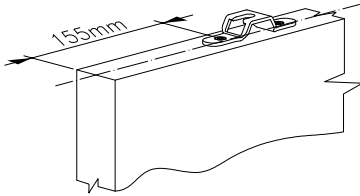




3 WS 60



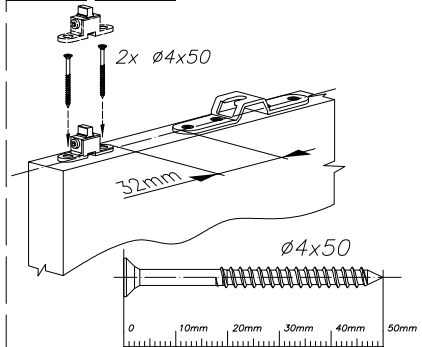
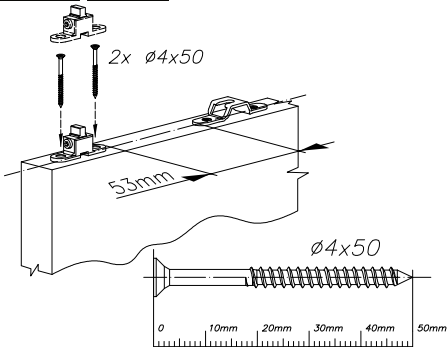
3 WS 120



4 WS 60



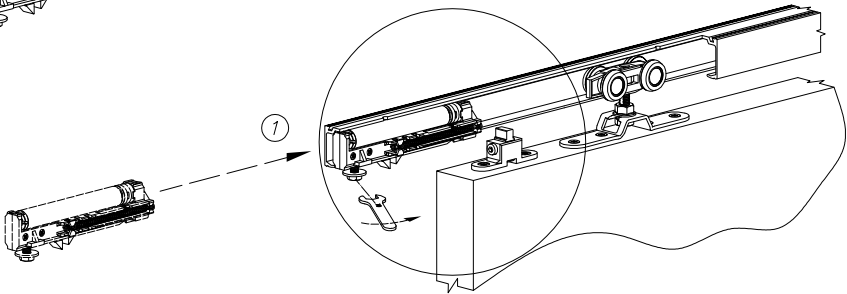
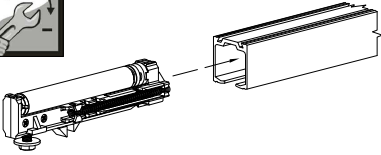
4 WS 120



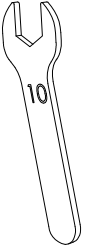


5

WS 60 | WS120

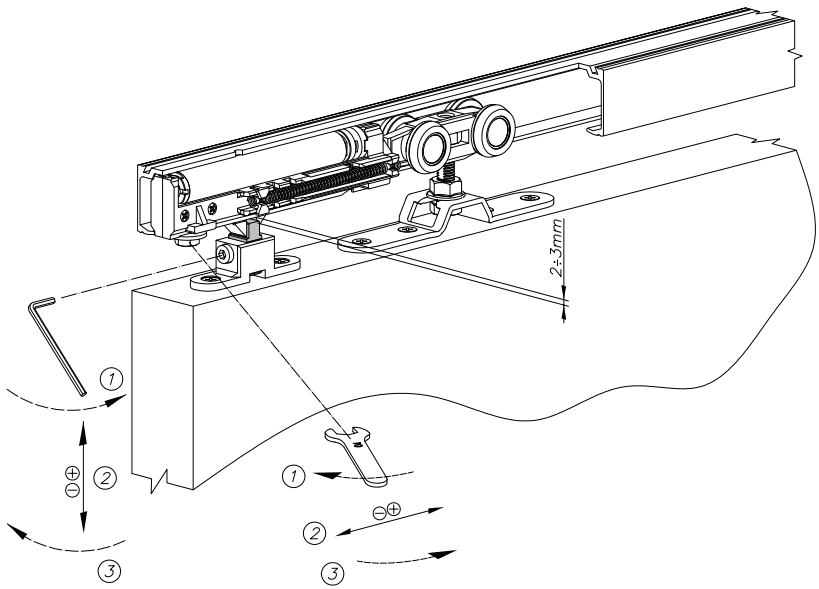
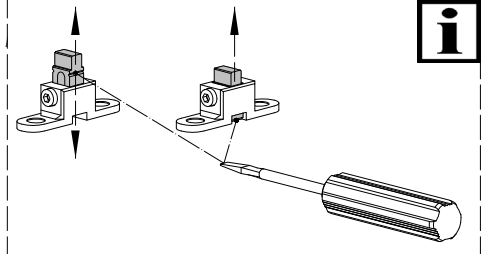
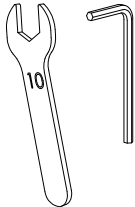


1



6

**i**



1

+

2

+

3

1

+

2

-

3

2-3mm